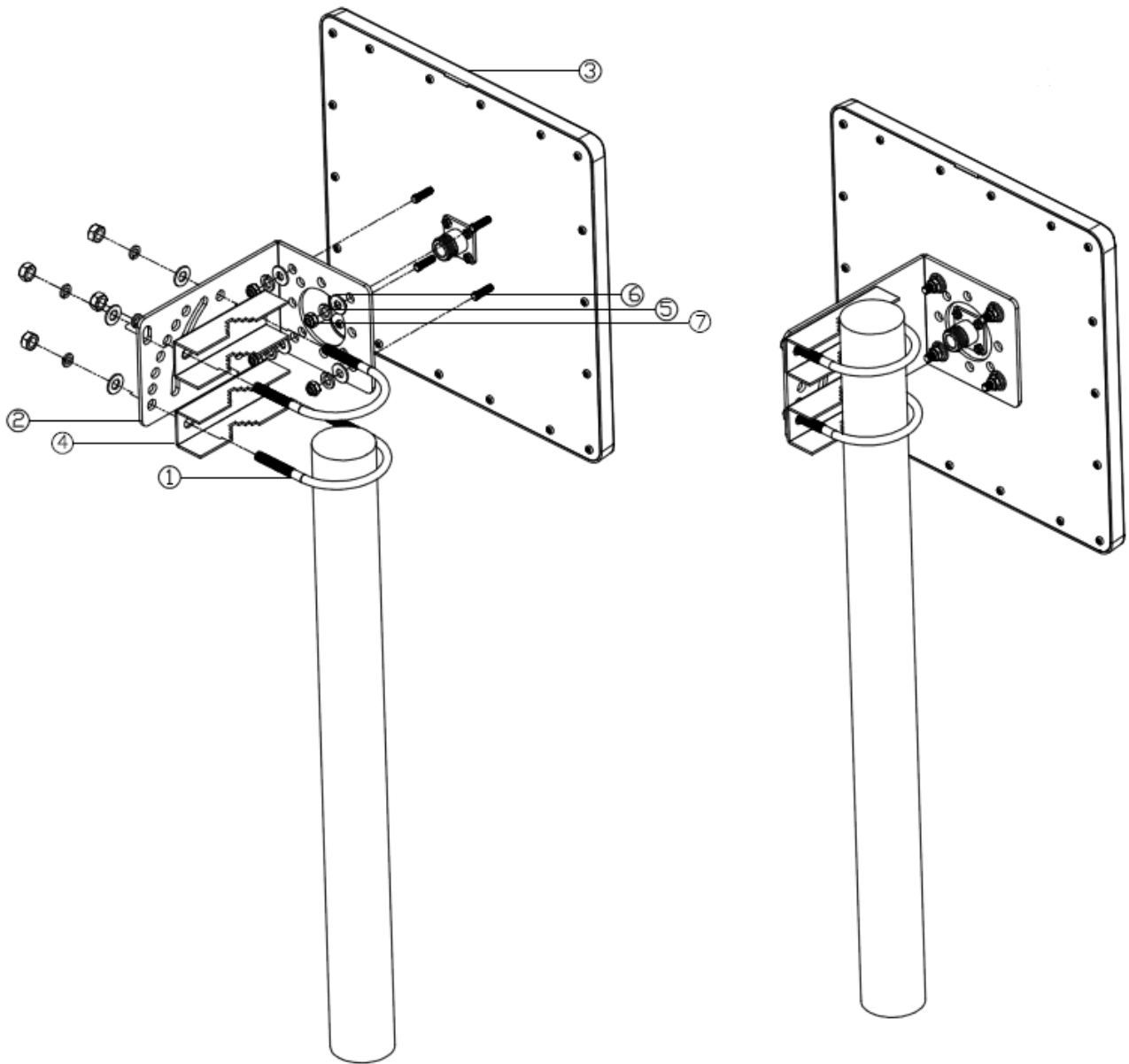


# Outdoor Antenna Installation Guide



- |                                |       |                     |       |
|--------------------------------|-------|---------------------|-------|
| 1. U Type Screw                | 2 pcs | 5. M5 spring washer | 8 pcs |
| 2. L Type Mounting main holder | 1 pcs | 6. M5 washer        | 8 pcs |
| 3. Antenna                     | 1 pcs | 7. M5 nut           | 8 pcs |
| 4. Bracket                     | 2 pcs |                     |       |

**Note:**

Mounting Pole Diameter: 20 ~ 54 mm