



ProRange2

2.7~2.9GHz High Power mini PCI Module

Technical Specifications

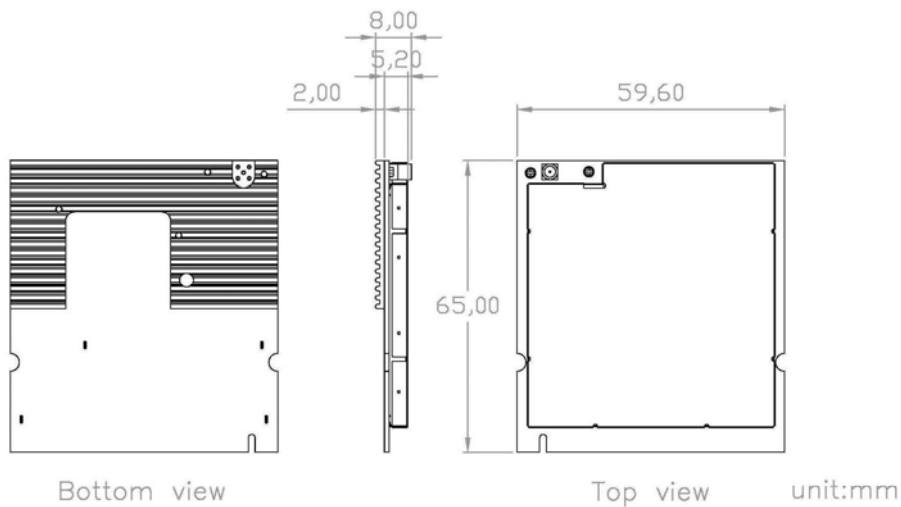
Dimensions

Chipset

Operating Frequency

Radio RF Specifications

Card Information



Chipset

Atheros AR5006XS, AR5414

Radio Operation

2.7~2.9GHz

Radio RF Specifications

Data Rate	TX Specification		RX Specification	
	TX Power	Current	Sensitivity	Current
6 Mbps	23±1.5 dBm	1400 ± 100 mA	-92±2.0 dBm	400 mA
36 Mbps	22±1.5 dBm	1300 ± 100 mA	-82±2.0 dBm	400 mA
48 Mbps	20±1.5 dBm	1200 ± 100 mA	-75±2.0 dBm	400 mA
54 Mbps	18±1.5 dBm	1100 ± 100 mA	-72±2.0 dBm	400 mA

Card Information

Antenna Interface	MMCX Connector
Dimension	59.6X 65 X 6 mm (including heatsink)
Operating Voltage	3.3V+/- 0.15V
Operating Temperature	-40°C to +80°C