

ProRange4

4.4~4.7GHz High Power mini PCI Module

Technical Specifications

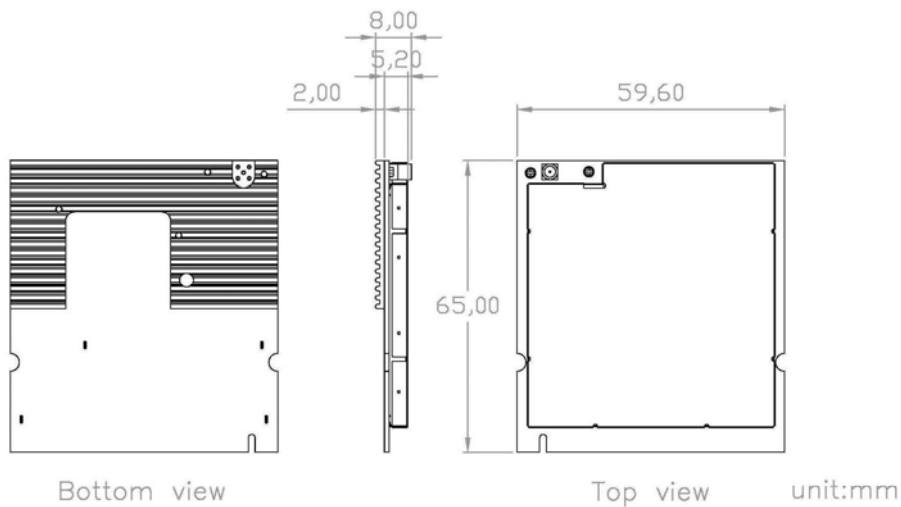
Dimensions

Chipset

Operating Frequency

Radio RF Specifications

Card Information



Chipset

Atheros AR5006XS, AR5414

Radio Operation

4.7~4.9GHz (5.750 – 5.950GHz)

Radio RF Specifications

Data Rate	TX Specification		RX Specification	
	TX Power	Current	Sensitivity	Current
6 Mbps	19±2 dBm	850 ± 100 mA	-92±2.0 dBm	400 mA
36 Mbps	17±2 dBm	750 ± 100 mA	-82±2.0 dBm	400 mA
48 Mbps	16±2 dBm	700 ± 100 mA	-75±2.0 dBm	400 mA
54 Mbps	15±2 dBm	650 ± 100 mA	-72±2.0 dBm	400 mA

Card Information

Antenna Interface	MMCX Connector
Dimension	59.6X 65 X 6 mm (including heatsink)
Operating Voltage	3.3V+/- 0.15V
Operating Temperature	-40°C to +80°C