

JWAP011

Professional Duo Slot Atheros Network Platform

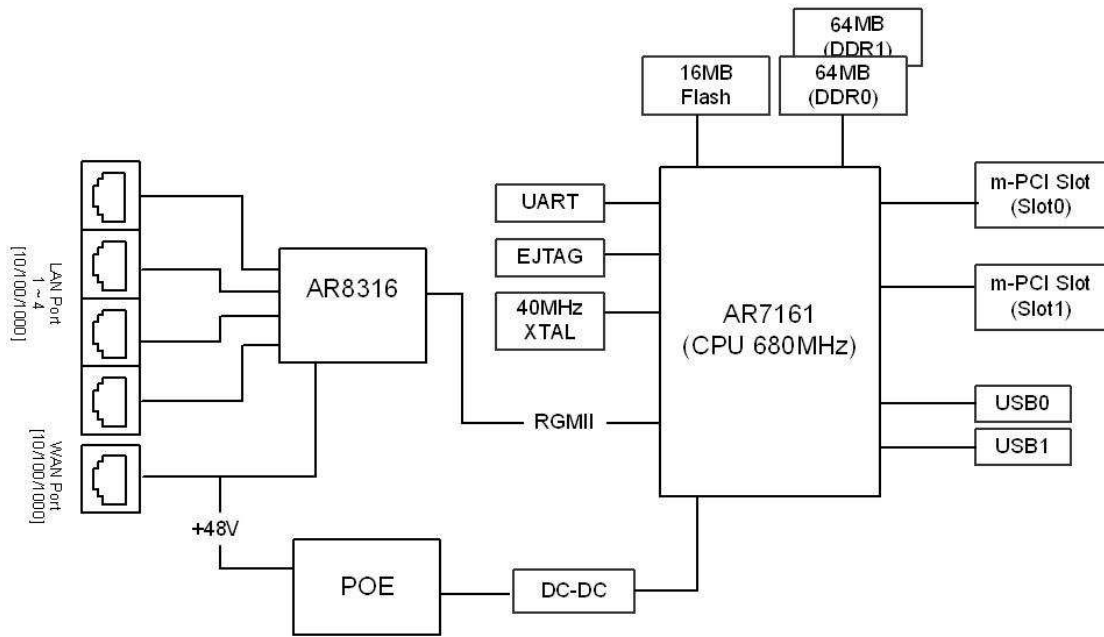
Technical Specifications

System Information

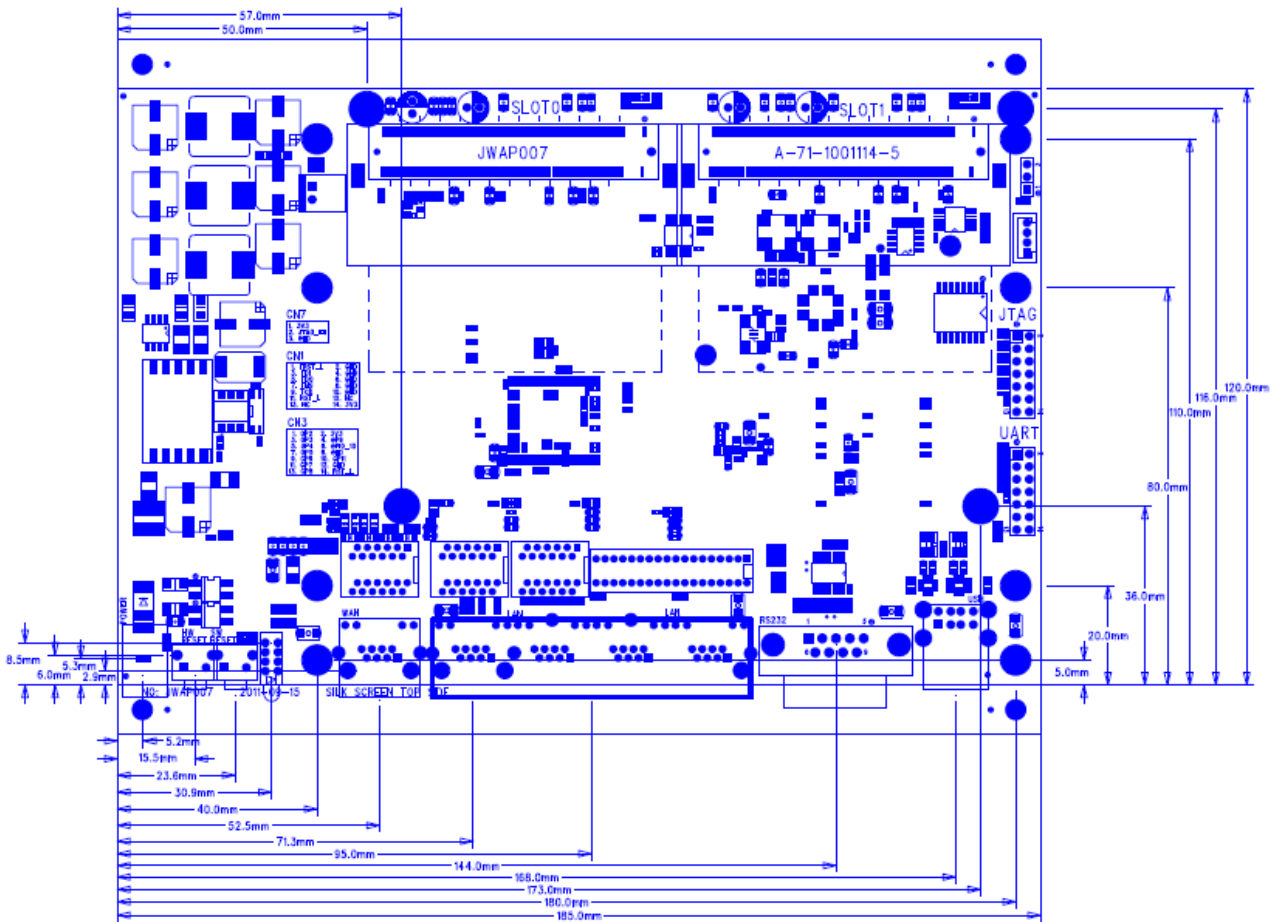
System Information

Chipset	Atheros AR7161 680MHz Networking Processor
Memory	128MB (64MB x 2) DDR SDRAM
Flash	16MB SPI Flash
Mini-PCI Slot	2 x Type-III Mini-PCI Slot
Gigabit Switch	Atheros AR8316 Six-Port Gigabit Switch
Ethernet	WAN 1 x Gigabit Base Ethernet Port (with Auto MDI/ MDIX) LAN 4 x Gigabit Base Ethernet Port (with Auto MDI/ MDIX)
Watch Dog Timer	Yes
UART&GPIO Interface	14 pins Header (GPIO2,GPIO7,GPIO8,GPIO11,UART_Rx,UART_Tx,SYS_RST_L,3.3v, GND*2, NC*4)
JTAG Interface	14 pins Header (TRST_L,TDI,TDO,TMS,TCK,3.3v,GND*5, NC*3)
Console	DB-9 RS-232 male connector
USB	2 x USB 2.0
Fan Control	DC VIN (12V-18V)
LED	PWR, GPIO4, GPIO5, GPIO6, Light for green
Button	1x HW_Reset_Button, 1xSW_Reset_Button(GPIO)
Power Supply	POE: 802.3AT (Input Voltage Range: 36V to 56V DC\ AC), Type 48V, WAN Port PoE Input Only DC Input: Range 12V to 18V DC Voltage
Power Consumption	24W Max
RoHS Compliance	Yes
Humidity	5% to 98% non-condensing
Temperature Range	Operating Temperature: -10°C to +70°C Storage Temperature: -20°C to +70°C
Dimension (in mm)	120 x 185 (mm)
Firmware Support	JJPlus LSDK

■ Block Diagram



■ Physical Dimension



■ Pin Definitions- RS-232, UART, JTAG, Fan CTL, USB, and LEDs

