

WMX2401

802.11bgn 4T4R WIFI Mini-PCIE Module

Technical Specifications

System Information

Data Rate

Operating Frequency

Interface

Modulation

Recommended Operating Conditions

Driver Support

Certification

Block Diagram

Dimension

Pin Assignment

Output Power & Sensitivity

System Information

Wireless: IEEE 802.11bgn (4T4R)

MU-MIMO

Chipset: Qualcomm Atheros QCA9984

Data Rate

802.11b: 11Mbps

802.11g: 54Mbps

802.11n: 450Mbps

Operating Frequency

IEEE 802.11bgn: 2.412GHz ~ 2.484GHz

Interface

Mini PCIe

Antenna Port: U.FL x4 for 4T4R

Modulation

802.11n: OFDM (BPSK, QPSK, 16-QAM, 64-QAM)

Recommended Operating Conditions

Operating Voltage: DC 3.3V \pm 10%
Operating Temperature Range: -20° ~ 85°C
Storage Temperature Range: -40° ~ 135°C
Operating Humidity (non-condensing): 5% ~ 95%
Storage Humidity (non-condensing): 5% ~ 90%
Power consumption: 6W
Dimension (in mm): 50.8(L) x 30.0(W) x 11.0(H) mm

Noted: The best RF performance specified in the data sheet, that's guaranteed only between -20° and 70° without reducing performance.

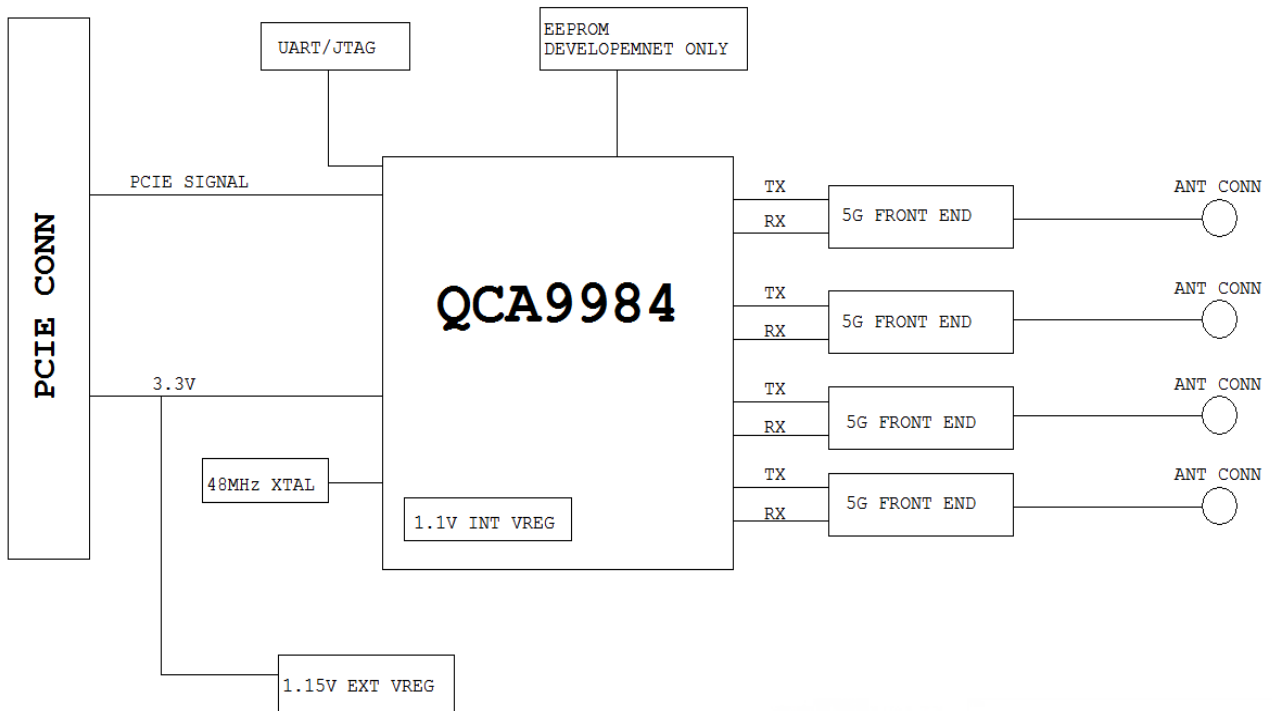
Driver Support

QSDK/ATH10K

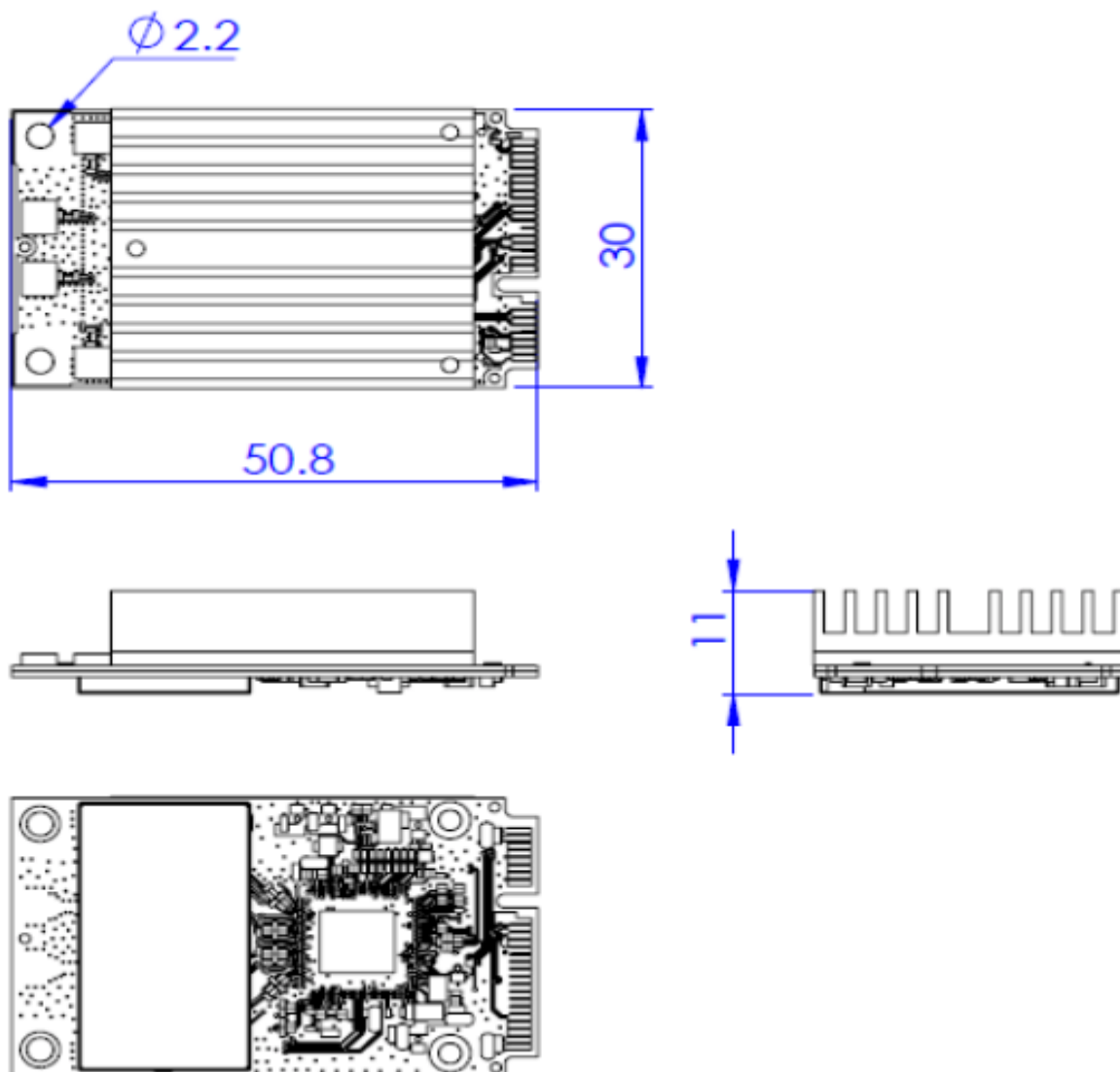
Certification

FCC / CE / IC (Note: Applying in progress, presumably be ready in July 2019)

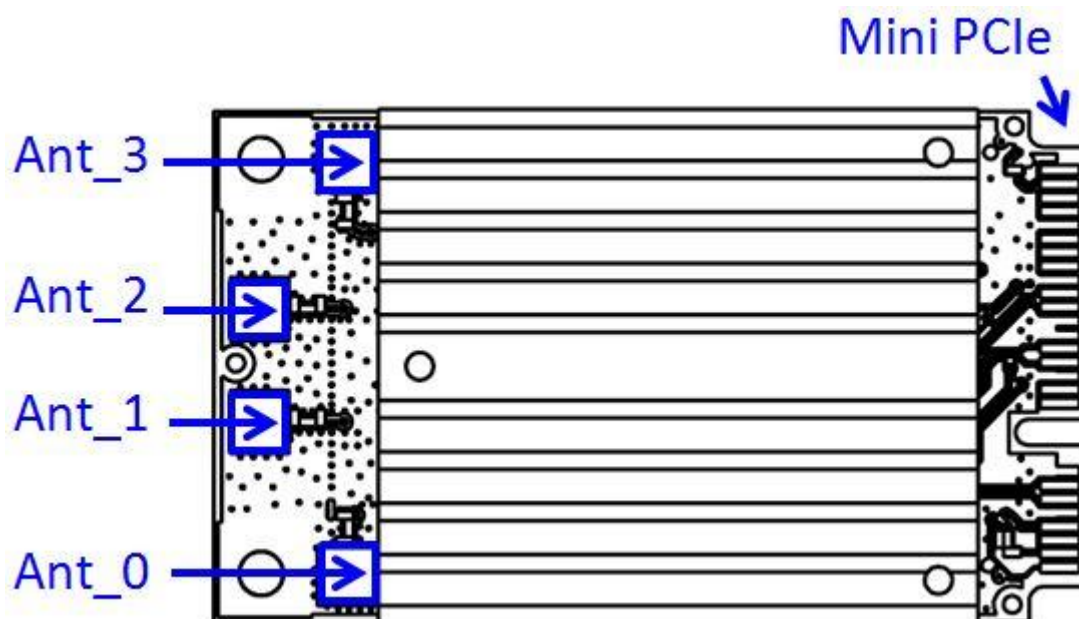
Block Diagram



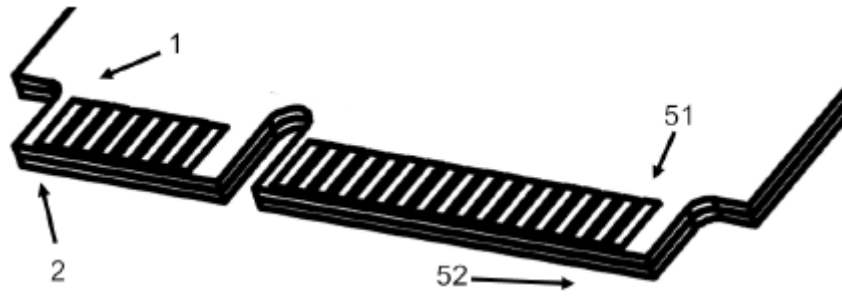
Dimension



Pin Assignment



Pin Name	Description
Ant_0, Ant_1, Ant_2, Ant_3	RF Antenna for Wifi 2.4GHz



PIN#	Pin Name	Design Status	PIN#	Pin Name	Design Status
1	WAKE#	WAKE	2	+3.3Vaux	VDDC33
3	COEX1	CHP_PWD	4	GND	GND
4	COEX2	NC	6	+1.5V	NC
7	CLKREQ#	VLKREQ	8	UIM_PWR	NC
9	GND	GND	10	UIM_DATA	NC
11	REFCLK-	REFCLK-	12	UIM_CLK	NC
13	REFCLK+	REFCLK+	14	UIM_RESET	NC
15	GND	GND	16	UIM_VPP	NC
17	Reserved	NC	18	GND	GND
19	Reserved	NC	20	W_DISABLE#	WLAN_DISABLE
21	GND	GND	22	PERST#	RESET
23	PERn0	PERn0	24	+3.3Vaux	VDD33
25	PERp0	PERp0	26	GND	GND
27	GND	GND	28	+1.5V	NC
29	GND	GND	30	SMB_CLK	NC
31	PETn0	PETn0	32	SMB_DATA	NC
33	PETp0	PETp0	34	GND	GND
35	GND	GND	36	USB_D-	NC
37	GND	NC	38	USB_D+	NC
39	+3.3Vaux	NC	40	GND	GND
41	+3.3Vaux	NC	42	LED_WWAN	NC
43	GND	GND	44	LED_WLAN	WLAN_LED
45	RESERVED	NC	46	LED_WPAN	NC
47	RESERVED	NC	48	+1.5V	NC
49	RESERVED	NC	50	GND	GND
51	RESERVED	NC	52	+3.3Vaux	VDD33

Output Power & Sensitivity

802.11bg		
Data Rate	Tx +/- 2dB	Rx Sensitivity +/- 2dB
1~11Mbps	23 dBm	-90dBm
24Mbps	20 dBm	-80 dBm
54Mbps	16 dBm	-70 dBm

802.11n		
Data Rate	Tx +/- 2dB(1TX)	Rx Sensitivity +/- 2dB
VHT 20	MCS 0	20dBm
	MCS 4	20dBm
	MCS 7	16dBm
VHT 40	MCS 0	20dBm
	MCS 4	20dBm
	MCS 7	16dBm